

## **GM Series Centrifugal Blower**

- 1.1 GM Series Centrifugal Blower mainly applies: the single or compound application of the wind net of 2-6 rice machines. This blower has the characteristics of high efficiency, large flux, low noise, slinky sculpt, stable running, etc.
- 1.2 Model GM Series Centrifugal Blower also applies to the gas conveying and compulsory ventilation in other fields.
- 1.3 The gas conveyed by the Model GM Series Centrifugal Blower should be nontoxic, innocuously, non-corrosive, non-self-igniting, and the temperature should not be higher than 80°C. The powder dust contained in the conveying gas should be no more than 150mg/m<sup>3</sup>.

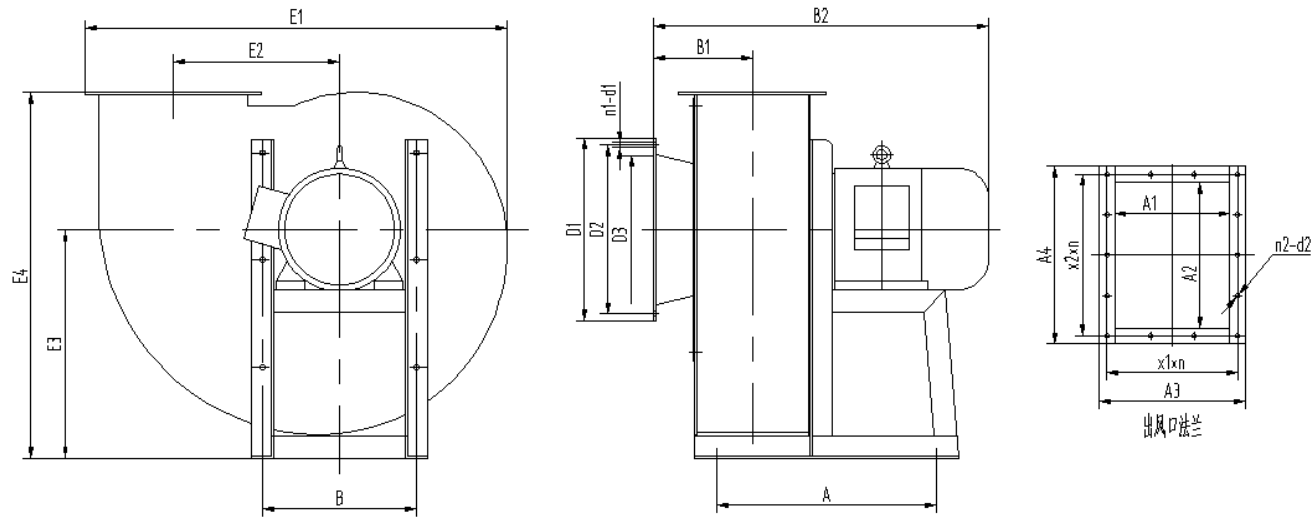
**Model GM Centrifugal Blower Datasheet**

No.	Type	speed r/min	No.	Flux m <sup>3</sup> /h	Total pressure Pa	motor	
						Type	Power kW
GM7.5	A	2900	1	3980	3645	Y132S-2	7.5
			2	4406	3544		
			3	5088	3456		
			4	5689	3289		
			5	6232	3145		
			6	6655	3052		
			7	7105	2956		
			8	8045	2671		
GM11	A	2900	1	4690	4067	Y160M1-2	11
			2	5192	3954		
			3	5996	3849		
			4	6704	3669		
			5	7344	3509		
			6	7842	3405		
			7	8373	3298		
			8	9480	2980		
GM15	A	2900	1	5123	4613	Y160M2-2	15
			2	6274	4485		
			3	7245	4366		
			4	8100	4162		
			5	8873	3981		
			6	9475	3862		
			7	10116	3741		
			8	11455	3381		
GM18	A	2900	1	6336	5458	Y160L-2	18.5
			2	7316	5425		
			3	8179	5190		
			4	8961	5084		
			5	9680	4964		
			6	10347	4815		
			7	10974	4730		
			8	11452	4619		
GM22	A	2900	1	8961	5458	Y180M-2	22
			2	9458	5278		
			3	10347	5118		
			4	11568	4798		
			5	12672	4418		
			6	13688	4078		
			7	14632	3728		
			8	15520	3419		

# *Shuangcheng Blower*

No.	Type	speed r/min	No.	Flux m <sup>3</sup> /h	Total pressure Pa	motor	
						Type	Power kW
GM30-1	A	2900	1	8144	6021	Y200L1-2	30
			2	9974	5772		
			3	11516	5522		
			4	12873	5252		
			5	14105	4852		
			6	15235	4511		
			7	16285	4211		
			8	18210	3501		
GM30-2	A	2900	1	7500	6550	Y200L1-2	30
			2	8250	6270		
			3	9775	6020		
			4	11100	5700		
			5	12400	5352		
			6	13980	5010		
			7	15000	4710		
			8	16000	4550		
GM37-1	A	2900	1	11516	6172	Y200L2-2	37
			2	13627	5832		
			3	14235	5512		
			4	16287	5258		
			5	17382	5022		
			6	18209	4762		
			7	19947	4312		
			8	21545	3700		
GM37-2	A	2900	1	8224	6762	Y200L2-2	37
			2	9510	6740		
			3	10070	6723		
			4	11630	6585		
			5	13000	6478		
			6	14245	6292		
			7	15386	6154		
			8	16240	6017		
GM45	A	2900	1	19500	5760	Y225M-2	45
			2	21400	5500		
			3	22939	5160		
			4	24380	4840		
			5	25930	4390		
			6	27033	4120		
			7	27745	3920		
			8	28100	3600		

# Shuangcheng Blower



## Shape and Installation Size Chart of Model GM A Centrifugal Blower

No.	Inlet flange					Outlet flange								Shape Size						Installation Size			
	D1	D2	D3	Coupling bolt		A1	A2	A3	A4	Coupling bolt				E1	E2	E3	E4	B1	B2	A	B	Anchor bolt hole	
				d1	n1					d2	n2	x1×n	x2×n									Φ	quantity
																							出风口法兰
7.5	401	370	331	10	8	254	319	324	389	10	14	96×3	88.5×4	932	367	502	802	218.5	740	485	340	15	4
11	476	445	406	10	8	269	337	349	417	10	14	103×3	95×4	989	388	540	857	230.5	855	610	405	15	4
15	501	475	431	10	8	286	358	366	438	10	14	108×3	99.5×4	1050	414	575	912.5	245	878	625	406	15	4
18	526	490	446	10	12	297	372	377	452	12	14	112.3×3	103×4	1087	429	600	950	254	937	675	420	15	4
22	536	500	456	10	12	317	375	397	455	12	18	89×4	83×5	1107	440	615	971	264	982	700	440	15	4
30	596	545	496	12	12	346	408	426	488	12	18	96.5×4	90×5	1201	478	660	1047	279.5	1117	795	470	18	4
37	601	565	521	12	12	361	427	461	527	15	18	102.5×4	95.3×5	1266	501.5	685	1091	299.5	1145	810	470	18	4
45	631	595	551	12	12	383	458	483	558	15	18	110×4	102×5	1348	533	735	1166	317.5	1214	875	550	18	4