

G4-73-11 Centrifugal Boiler Blower

Y4-73-11 Centrifugal Boiler Blower

Model G4-73 and Y4-73 boiler blower and blower apply to the system of blower and blower for vapor boiler below 230T/H in the Power plant. While having no special requirement, G4-73 may also be used for mine ventilation and ordinary ventilation.

The medium conveyed by the blower is air, no more than 80°C of the highest temperature. The medium conveyed by the blower is smoke, no more than 250°C of the highest temperature.

A dust catching device must be installed in front of the blower, to reduce as much as possible the dust in the smoke entered the blower. The dust catching efficiency is no less than 85%.

Performance indicated in the performance chart, the performance of blower is calculated according to the air medium that: blower $t=20^{\circ}\text{C}$, atmospheric pressure $P_a=101325\text{Pa}$, air density $\rho =1.2\text{Kg}/\text{m}^3$. The performance of blower is calculated according to the air medium that: air temperature $t=140^{\circ}\text{C}$, atmospheric pressure $P_a=101325\text{Pa}$, air density $\rho =0.85\text{kg}/\text{m}^3$.

Shuangcheng Blower

G4-73-11 Centrifugal blower

No.	Type	Speed r/min	No.	Flux m ³ /h	Total pressure Pa	Power kW	motor		size L×W×H mm	weight (except motor) kg
							Type	Power kW		
8	D	1450	1	16156	2104	11.8	Y180M-4	18.5	1753×1334 ×1738	834
			2	18244	2095	12.67				
			3	20442	2072	13.63				
			4	22530	2018	14.42				
			5	24618	1924	15.06				
			6	26706	1794	15.45				
			7	28904	1611	15.43				
			8	30993	1400	15.11				
9	D	1450	1	23003	2668	21.27	Y200L-4	30	1843×1498 ×1921	930
			2	25976	2656	22.83				
			3	29106	2628	24.55				
			4	32079	2559	25.98				
			5	35053	2440	27.13	Y225S-4	37		
			6	38206	2275	27.84				
			7	41155	2042	27.99				
			8	44128	1775	27.23				
9	D	960	1	15229	1163	6.17	Y160L-6	11	1843×1498 ×1921	930
			2	17198	1158	6.62				
			3	19270	1146	7.13				
			4	21238	1116	7.54				
			5	23207	1064	7.87				
			6	25175	993	8.08				
			7	27247	891	8.12				
			8	29216	775	7.90				
10	D	1450	1	31554	3301	36.02	Y250M-4	55	1945×1662 ×2116	1079
			2	35633	3287	38.06				
			3	39926	3251	41.58				
			4	44004	3166	44.00				
			5	48083	3018	45.95				
			6	52161	2813	47.15				
			7	56455	2525	47.39				
			8	60533	2194	46.12				

Shuangcheng Blower

G4-73-11

No.	Type	Speed r/min	No.	Flux m ³ /h	Total pressure Pa	Power kW	motor		size L×W×H mm	weight (except motor) kg
							Type	Power kW		
10	D	960	1	20891	1437	10.45	Y180L-6	15	1945×1662 ×2116	1079
			2	23591	1431	11.22				
			3	26434	1416	12.07				
			4	29134	1379	12.76				
			5	31834	1315	13.34	Y200L ₁ -6	18.5		
			6	34534	1226	13.68				
			7	37377	1101	13.75				
			8	40077	958	13.38				
10	D	730	1	15886	829	4.06	Y160L-8	7.5	1945×1662 ×2116	10799
			2	17939	826	4.93				
			3	20100	817	5.31				
			4	22154	796	5.61				
			5	24207	759	5.86				
			6	26260	708	6.02				
			7	28422	636	6.05				
			8	30475	553	5.88				
11	D	1450	1	41999	4003	58.01	Y280S-4	75	2272×1826 ×2313	1621
			2	47427	3986	62.26				
			3	53142	3943	66.97	Y280M-4	90		
			4	58570	3840	70.88				
			5	63998	3660	74.00				
			6	69427	3411	75.93				
			7	75141	3060	76.33				
			8	80570	2659	74.27				
11	D	960	1	27806	1741	16.83	Y200L ₂ -6	22	2272×1826 ×2313	1621
			2	31400	1734	18.07				
			3	35183	1715	19.43	Y225M-6	30		
			4	38777	1671	20.57				
			5	42371	1593	21.48				
			6	45965	1485	22.04				
			7	49748	1334	22.15				
			8	53343	1160	21.55				

Shuangcheng Blower

G4-73-11

No.	Type	Speed r/min	No.	Flux m ³ /h	Total pressure Pa	Power kW	motor		size L×W×H mm	weight (except motor) kg
							Type	Power kW		
11	D	730	1	21144	1004	7.40	Y180L-8	11	2272×1826 ×2313	1621
			2	23877	1000	7.94				
			3	26754	989	8.55				
			4	29487	964	9.04				
			5	32220	919	9.44				
			6	34953	857	9.69				
			7	37829	770	9.74				
			8	40562	669	9.48				
12	D	1450	1	54526	4777	89.63	Y315M ₁ -4	132	2382×1990 ×2510	1779
			2	61574	4756	96.19				
			3	68992	4705	103.46				
			4	76040	4582	109.49				
			5	83088	4366	114.33	Y315M ₂ -4	160		
			6	90135	4069	117.31				
			7	97544	3650	117.92				
			8	104600	3171	114.75				
12	D	960	1	36100	2075	26.01	Y250M-6	37	2382×1990 ×2510	1779
			2	40766	2066	27.91				
			3	45677	2044	30.03				
			4	50344	1990	31.77	Y280S-6	45		
			5	55010	1898	33.18				
			6	59676	1769	34.05				
			7	64587	1588	34.22				
			8	69253	1381	33.30				
12	D	730	1	27451	1196	11.44	Y200L-8	15	2382×1990 ×2510	1779
			2	30999	1191	12.27				
			3	34734	1178	13.20	Y225S-8	18.5		
			4	38282	1178	13.97				
			5	41830	1094	14.59				
			6	45378	1020	14.97				
			7	49113	916	15.05				
			8	52661	797	14.64				

Shuangcheng Blower

G4-73-11

No.	Type	Speed r/min	No.	Flux m ³ /h	Total pressure Pa	Power kW	motor		size L×W×H mm	weight (except motor) kg
							Type	Power kW		
14	D	1450	1	86586	6541	193.71	Y355M ₂ -4	250	3040×2441 ×2916	2711
			2	97777	6513	207.90				
			3	109550	6442	223.63	Y355L ₁ -4	280		
			4	120740	6272	236.66				
			5	131940	5975	247.13	Y355L ₂ -4	315		
			6	143130	5566	253.56				
			7	154910	4990	254.89				
			8	166100	4333	248.02				
14	D	960	1	57326	2831	56.22	Y315S-6	75	3040×2441 ×2916	2711
			2	64735	2819	60.33				
			3	72534	2789	64.90	Y315M ₁ -6	90		
			4	79944	2716	68.68				
			5	87353	2589	71.72				
			6	94763	2414	73.59				
			7	102560	2166	73.97				
			8	109970	1883	71.98				
14	D	730	1	43591	1630	24.72	Y280S-8	37	3040×2441 ×2916	2711
			2	49225	1623	26.53				
			3	55156	1606	28.54				
			4	60791	1564	30.20				
			5	66425	1491	31.54	Y280M-8	45		
			6	72059	1391	32.36				
			7	77990	1249	32.53				
			8	83624	1086	31.65				
15	D	960	1	70498	3250	80.19	Y315M ₂ -6	110	3133×2561 ×3108	2960
			2	79610	3236	86.04				
			3	89201	3202	92.62				
			4	98314	3118	97.91	Y315M ₂ -6	132		
			5	107425	2972	102.21				
			6	116538	2771	104.83				
			7	126126	2486	105.23				
			8	135239	2162	102.33				

Shuangcheng Blower

G4-73-11

No.	Type	Speed r/min	No.	Flux m ³ /h	Total pressure Pa	Power kW	motor		size L×W×H mm	weight (except motor) kg
							Type	Power kW		
15	D	730	1	53617	1871	35.11	Y280M-8	45	3133×2561 ×3108	2960
			2	60547	1863	37.68				
			3	67842	1844	40.56	Y315M-8	55		
			4	74773	1795	42.87				
			5	81703	1712	44.78				
			6	88633	1597	45.95				
			7	95928	1434	46.17				
			8	102858	1247	44.09				
16	D	960	1	85571	3709	109.60	Y315L ₂ -6	132	3233×2759 ×3300	3432
			2	96631	3693	117.60	Y355M ₁ -6	160		
			3	108270	3653	126.53				
			4	119330	3558	133.91				
			5	130390	3391	139.83	Y355M ₂ -6	185		
			6	141450	3161	143.46				
			7	153090	2836	144.21				
			8	164150	2465	140.33				
16	D	730	1	65069	2133	48.19	Y315M ₁ -8	75	3233×2759 ×3300	3432
			2	73480	2124	51.72				
			3	82333	2101	55.64				
			4	90743	2047	58.88				
			5	99153	1951	61.48				
			6	107560	1819	63.08				
			7	116410	1633	63.41				
			8	124820	1420	61.70				
16	D	580	1	51699	1343	24.17	Y315S-10	45	3233×2759 ×3300	3432
			2	58381	1337	25.94				
			3	65415	1323	27.91				
			4	72097	1289	29.53				
			5	78779	1228	30.84				
			6	85462	1146	31.64				
			7	92495	1029	31.80				
			8	99178	895	30.95				

Shuangcheng Blower

G4-73-11

No.	Type	Speed r/min	No.	Flux m ³ /h	Total pressure Pa	Power kW	motor		size L×W×H mm	weight (except motor) kg
							Type	Power kW		
18	D	960	1	121830	4710	197.51	Y355L2-6	250	3672×3111 ×3736	5367
			2	137580	4690	211.97				
			3	154160	4639	228.02	JS138-6	280		
			4	169910	4518	241.30				
			5	185650	4305	251.97	JSQ148-6	310		
			6	201400	4012	258.53				
			7	217980	3599	259.88				
			8	233730	3126	252.88				
18	D	730	1	92648	2705	86.85	Y355M ₁ -8	132	3672×3111 ×3736	5367
			2	104620	2693	93.21				
			3	117220	2664	100.26				
			4	129200	2595	106.1				
			5	141170	2474	110.79				
			6	153150	2306	113.67				
			7	165750	2070	114.27				
			8	177730	1800	111.19				
18	D	580	1	73610	1702	43.56	Y315M-10	55	3672×3111 ×3736	5367
			2	83125	1694	46.75				
			3	93140	1676	50.29	Y315L ₁ -6	75		
			4	102650	1633	53.22				
			5	112160	1557	55.57				
			6	121680	1452	57.01				
			7	131690	1303	57.31				
			8	141210	1133	55.77				
20	D	730	1	127080	3347	147.07	Y355L ₂ -8	200	3870×3380 ×4120	6022
			2	143510	3333	157.84				
			3	160800	3297	169.79				
			4	177230	3211	179.68				
			5	193660	3060	187.63	*JSQ148-8	240		
			6	210080	2853	192.51				
			7	227370	2560	193.52				
			8	243800	2225	188.30				

Shuangcheng Blower

G4-73-11

NO.	Type	Speed r/min	No.	Flux m ³ /h	Total pressure Pa	Power kW	motor		size L×W×H mm	weight (except motor) kg
							Type	Power kW		
20	D	580	1	100970	2104	73.77	Y355M ₂ -10	110	3870×3380 ×4120	6022
			2	114020	2095	79.17				
			3	127760	2072	85.16				
			4	140810	2018	90.12				
			5	153860	1924	94.11	Y355L ₁ -10	132		
			6	166910	1794	96.55				
			7	180650	1611	97.06				
			8	193700	1400	94.44				
22	D	580	1	141000	2501	121	JS137-10	155	4413×3692 ×4471	7766
			2	158000	2501	128				
			3	175000	2471	136				
			4	193000	2422	145	JS138-10	180		
			5	210000	2334	151				
			6	228000	2177	158				
			7	245000	1981	160				
			8	263000	1775	160				
22	D	480	1	116000	1716	68.5	△JSQ147-12	140	4413×3692 ×4471	7766
			2	131000	1716	73				
			3	145000	1706	77.9				
			4	159000	1657	81.8				
			5	174000	1598	85.8				
			6	188000	1491	88.9				
			7	202000	1363	90.8				
			8	217000	1216	90.5				
25	D	480	1	171000	2216	136	△JSQ158-12	165	4771×4221 ×5109	10175
			2	192000	2216	138	△ JSQ1410-12	210		
			3	213000	2197	147				
			4	234000	2148	156				
			5	258000	2069	163				
			6	276000	1932	169				
			7	298000	1755	173				
			8	318000	1579	172				

Shuangcheng Blower

Y4-73-11 Centrifugal blower

No.	Type	Speed r/min	No.	Flux m ³ /h	Total pressure Pa	Power kW	motor		size L×W×H mm	weight (except motor) kg
							Type	Power kW		
8	D	1450	1	16156	1303	7.33	Y160M-4	11	1753×1344 ×1738	918
			2	18244	1298	7.87				
			3	20442	1284	8.46	Y160L-4	15		
			4	22530	1250	8.96				
			5	24618	1192	9.35				
			6	26706	1112	9.60				
			7	28904	998	9.65				
			8	30993	868	9.39				
9	D	1450	1	23003	1651	13.21	Y180L-4	22	1843×1498 ×1921	1036
			2	25976	1644	14.18				
			3	29106	1627	15.25				
			4	32079	1584	16.14				
			5	35053	1511	16.85	Y200L-4	30		
			6	38206	1409	17.29				
			7	41155	1265	17.38				
			8	44128	1100	16.91				
9	D	960	1	15229	721	3.83	Y160M-6	7.5	1843×1498 ×1921	1036
			2	17198	718	4.11				
			3	19270	711	4.43				
			4	21238	692	4.68				
			5	23207	660	4.89				
			6	25175	616	5.02				
			7	27247	553	5.04				
			8	29219	481	4.91				
10	D	1450	1	31554	2041	22.37	Y225S-4	37	1945×1662 ×2116	1211
			2	35633	2033	24.01				
			3	39926	2011	25.83				
			4	44004	1959	27.34				
			5	48083	1867	28.54	Y225M-4	45		
			6	52161	1741	29.29				
			7	56455	1563	19.44				
			8	60533	1359	28.65				

Shuangcheng Blower

Y4-73-11

No.	Type	Speed r/min	No.	Flux m ³ /h	Total pressure Pa	Power kW	motor		size L×W×H mm	weight (except motor) kg
							Type	Power kW		
10	D	960	1	20591	891	6.49	Y160L-6	11	1945×1662 ×2116	1211
			2	23591	887	6.97				
			3	26434	878	7.50				
			4	29134	855	7.93				
			5	31834	815	8.28				
			6	34534	761	8.50				
			7	37377	683	8.54				
			8	40077	594	8.31				
10	D	730	1	15886	515	2.85	Y160M ₂ -8	5.5	1945×1662 ×2116	1211
			2	17939	512	3.06				
			3	20100	507	3.30				
			4	22154	494	3.49				
			5	24207	417	3.64				
			6	26260	439	3.74				
			7	28422	395	3.76				
			8	30475	343	3.66				
11	D	1450	1	41999	2474	36.03	Y250M-4	55	2272×1862 ×2313	1782
			2	47427	2463	38.67				
			3	53142	2437	41.60				
			4	58570	2373	44.02				
			5	63998	2263	45.97	Y280S-4	75		
			6	69427	2109	47.16				
			7	75141	1893	47.41				
			8	80570	1646	46.13				
11	D	960	1	27806	179	10.46	Y200L ₁ -6	18.5	2272×1826 ×2313	1782
			2	31400	1075	11.22				
			3	35183	1063	12.07				
			4	38777	1035	12.78				
			5	42371	987	13.43				
			6	45965	921	13.69				
			7	49748	827	13.76				
			8	53343	719	13.39				

Shuangcheng Blower

Y4-73-11

No.	Type	Speed r/min	No.	Flux m ³ /h	Total pressure Pa	Power kW	motor		size L×W×H mm	weight (except motor) kg
							Type	Power kW		
11	D	730	1	21144	623	4.06	Y160L-8	7.5	2272×1826 ×2313	1782
			2	23877	620	4.93				
			3	26754	614	5.31				
			4	29487	598	5.61				
			5	32220	570	5.87	Y180L-8	11		
			6	34953	532	6.02				
			7	37829	478	6.05				
			8	40562	415	5.89				
12	D	1450	1	54526	2949	55.67	Y280M-4	90	3283×1990 ×2510	2046
			2	61574	2936	59.75				
			3	68992	2905	64.27				
			4	76040	2829	68.01	Y315S-4	110		
			5	83088	2697	71.02				
			6	90135	2514	72.87				
			7	97544	2256	73.25				
			8	104600	1961	71.28				
12	D	960	1	36100	1285	16.16	Y225M-6	30	3283×1990 ×2510	2046
			2	40766	1280	17.34				
			3	45677	1266	18.65				
			4	50344	1233	19.74				
			5	55010	1176	20.61				
			6	59676	1096	21.15				
			7	64587	985	21.26				
			8	69253	856	20.69				
12	D	730	1	27451	742	7.10	Y180L-8	11	3283×1990 ×2510	2046
			2	30999	739	7.62				
			3	34734	731	8.20				
			4	38282	712	8.68	Y200L-8	15		
			5	41830	679	9.06				
			6	45378	633	9.30				
			7	49113	569	9.35				
			8	52661	495	9.10				

Shuangcheng Blower

Y4-73-11

No.	Type	Speed r/min	No.	Flux m ³ /h	Total pressure Pa	Power kW	motor		size L×W×H mm	weight (except motor) kg
							Type	Power kW		
14	D	1450	1	86586	4029	120.33	Y315L1-4	160	3040×2441 ×2916	3007
			2	97777	4011	129.14	Y355L2-4	200		
			3	109550	3968	138.91				
			4	120740	3864	147.00				
			5	131940	3683	153.51	Y355L2-4	250		
			6	143130	3433	157.5				
			7	154910	3080	158.33				
			8	166100	2676	154.06				
14	D	960	1	57326	1752	34.92	Y280M-6	55	3040×2441 ×2916	3007
			2	64735	1745	37.48				
			3	72534	1726	40.32				
			4	79944	1681	42.66	Y315S-6	75		
			5	87353	1603	44.55				
			6	94763	1495	45.71				
			7	102560	1342	45.95				
			8	109970	1167	44.71				
14	D	730	1	43591	1010	15.35	Y225M-8	22	3040×2441 ×2916	3007
			2	49225	1006	16.48	Y250M-8	30		
			3	55156	995	17.73				
			4	60791	970	18.76				
			5	66425	925	19.59				
			6	72059	862	20.10				
			7	77990	774	20.20				
			8	83624	674	19.66				
15	D	1450	1	106501	4625	172.39	Y3552-4	250	3133×2561 ×3108	3295
			2	120266	4605	184.98	Y3553-4	280		
			3	134747	4555	323.11				
			4	148510	4436	210.43	Y3554-4	315		
			5	162286	4228	219.67				
			6	176050	3941	225.24				
			7	190539	3536	226.12				
			8	204303	3072	219.66				

Shuangcheng Blower

Y4-73-11

No.	Type	Speed r/min	No.	Flux m ³ /h	Total pressure Pa	Power kW	motor		size L×W×H mm	weight (except motor) kg
							Type	Power kW		
15	D	960	1	70498	2011	49.62	Y315S-6	75	3133×2561 ×3108	3295
			2	79610	2003	53.26				
			3	89201	1981	57.30				
			4	98314	1930	60.61				
			5	107425	1840	63.28	Y315M1-6	90		
			6	116538	1716	64.92				
			7	126126	1541	65.23				
			8	135239	1340	63.42				
15	D	730	1	53617	1159	21.75	Y250M-8	30	3133×2561 ×3108	3295
			2	60547	1155	23.36	Y280S-8	37		
			3	67842	1142	25.12				
			4	74773	1114	26.61				
			5	81703	1062	27.78	Y280M-8	45		
			6	88633	990	28.49				
			7	95928	889	28.62				
			8	102858	774	27.86				
16	D	960	1	85571	2293	68.08	Y315M-6	90	3233×2759 ×3300	3432
			2	96631	2283	73.07	Y315L ₁ -6	110		
			3	108270	2258	78.60				
			4	119330	2200	83.18				
			5	130390	2097	86.86	Y315L ₂ -6	132		
			6	141450	1955	89.12				
			7	153090	1755	89.59				
			8	164150	1526	87.17				
16	D	730	1	65069	1321	29.94	Y280M-8	45	3233×2759 ×3300	3432
			2	73480	1316	32.13	Y315S-8	55		
			3	82333	1302	34.56				
			4	90743	1268	36.58				
			5	99153	1209	38.19				
			6	107560	1127	39.18				
			7	116410	1012	39.39				
			8	124820	880	38.33				

Shuangcheng Blower

Y4-73-11

No.	Type	Speed r/min	No.	Flux m ³ /h	Total pressure Pa	Power kW	motor		size L×W×H mm	weight (except motor) kg
							Type	Power kW		
16	D	580	1	51699	833	15.01	Y315S-10	45	3233×2759 ×3300	3817
			2	58381	829	16.11				
			3	65415	820	17.33				
			4	72097	799	18.34				
			5	78779	762	19.16				
			6	85462	711	19.65				
			7	92495	638	19.76				
			8	99178	555	16.22				
18	D	960	1	121830	2908	122.69	Y355M1-6	160	3672×3111 ×3736	6022
			2	137580	2895	131.67	Y355M3-6	200		
			3	154160	2864	141.64				
			4	169910	2790	149.89				
			5	185650	2659	156.52				
			6	201400	2479	160.59	Y355L2	250		
			7	217980	2225	161.43				
			8	233730	1934	157.08				
18	D	730	1	92648	1674	53.9	Y315M-8	75	3672×3111 ×3736	6022
			2	104620	1667	57.90				
			3	117220	1649	62.28	Y315L1-8	90		
			4	129200	1606	65.90				
			5	141170	1532	68.82				
			6	153150	1428	70.61	Y315L2-8	110		
			7	165750	1282	70.98				
			8	177730	1115	69.07				
18	D	580	1	73610	1055	27.06	Y315S-10	45	3672×3111 ×3736	6022
			2	83125	1050	29.04				
			3	93140	1039	31.24				
			4	102650	1012	33.05				
			5	112160	965	34.52				
			6	121680	900	35.42	Y315M-10	55		
			7	131690	808	35.6				
			8	141210	703	36.64				

Shuangcheng Blower

Y4-73-11

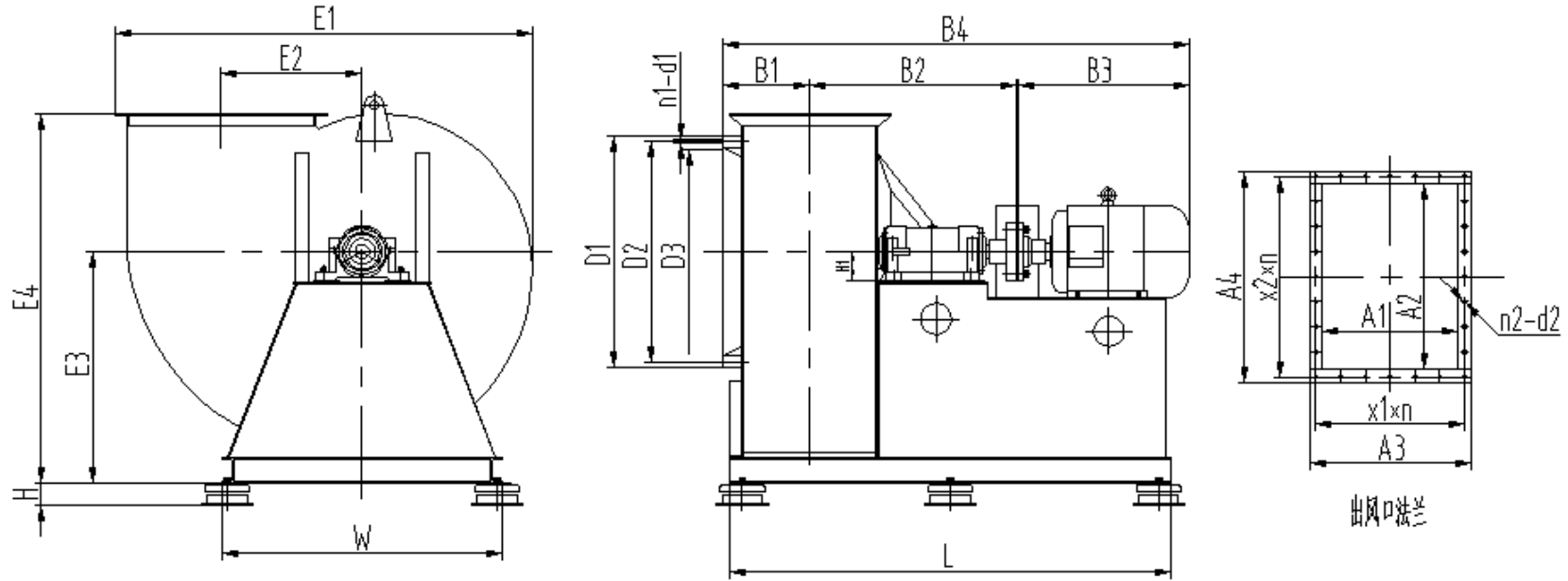
No.	Type	Speed r/min	No.	Flux m ³ /h	Total pressure Pa	Power kW	motor		size L×W×H mm	weight (except motor) kg
							Type	Power kW		
20	D	960	1	167130	3598	207.77	*JSQ1410-6	380	3870×3380 ×4120	6828
			2	188730	3583	222.99				
			3	211470	3545	239.87				
			4	233070	3452	253.84				
			5	254670	3290	265.07				
			6	276270	3067	271.96				
			7	299010	2752	273.39				
			8	320610	2392	266.02				
20	D	730	1	127080	2070	91.36	Y315M ₁ -8	132	3870×3380 ×4120	6828
			2	143510	2061	98.05				
			3	160800	2039	105.47				
			4	177230	1986	111.61	Y355M2-8	160		
			5	193660	1893	116.55				
			6	210080	1765	119.58				
			7	227370	1585	120.20				
			8	243800	1378	116.96				
20	D	580	1	100970	1303	45.82	Y315L1-10	75	3870×3380 ×4120	6828
			2	114020	1298	49.18				
			3	127760	1284	52.90				
			4	140810	1250	55.98	Y355M1-10	90		
			5	153860	1192	58.46				
			6	166910	1112	59.98				
			7	180650	998	60.29				
			8	193700	868	58.67				
22	D	730	1	177000	2471	151	*JSQ148-8	240	4413×3692 ×4471	8969
			2	199000	2471	160				
			3	220000	2422	168				
			4	242000	2383	179				
			5	264000	2295	187				
			6	286000	2138	194	*JSQ1410-8	280		
			7	308000	1951	198				
			8	330000	1746	197				

Shuangcheng Blower

Y4-73-11

No.	Type	Speed r/min	No.	Flux m ³ /h	Total pressure Pa	Power kW	motor		size L×W×H mm	weight (except motor) kg
							Type	Power kW		
22	D	580	1	141000	1549	75.2	Y355M2-10	110	4413×3692 ×4471	8969
			2	158000	1549	79.5				
			3	175000	1540	84.8				
			4	193000	1500	89.9				
			5	210000	1442	93.4	Y355L1-10	132		
			6	228000	1353	97.9				
			7	245000	1226	99.1				
			8	263000	1098	99				
22	D	480	1	116000	1069	42.7	Y355m4-12	90	4413×3692 ×4471	8969
			2	131000	1069	45.5				
			3	145000	1059	48.4				
			4	159000	1030	50.8				
			5	174000	990	53.2				
			6	188000	932	55.6				
			7	202000	843	56.2				
			8	217000	755	56.2				
25	D	580	1	206000	2001	142	*JSQ1410-10	200	4776×4221 ×5109	11752
			2	232000	2001	151				
			3	257000	1981	160	*JSQ157-10	260		
			4	282000	1932	169				
			5	308000	1863	177				
			6	334000	1736	184				
			7	359000	1589	188				
			8	384000	1422	187				
25	D	480	1	171000	1383	81.4	△JSQ158-12	140	4776×4221 ×5109	11752
			2	192000	1383	86.2				
			3	213000	1363	91.4				
			4	234000	1334	96.8				
			5	258000	1285	101.5				
			6	276000	1196	104.8				
			7	298000	1089	107				
			8	318000	981	106.9				

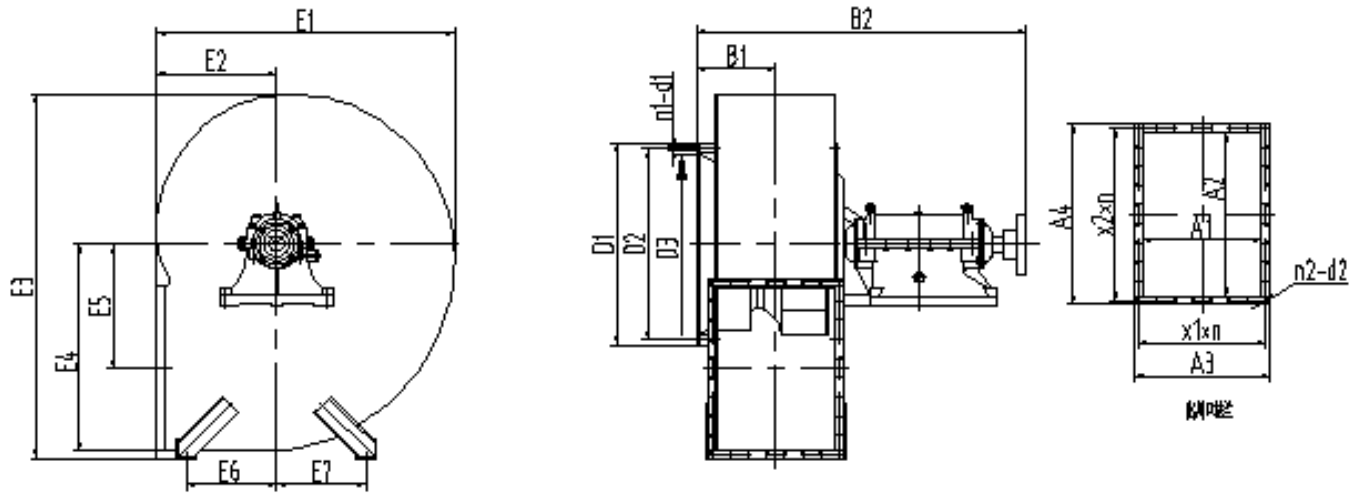
Shuangcheng Blower



Shape and Installation Size Chart of Model G、Y4-73-11 D Centrifugal Blower

No.	Inlet flange					Outlet flange								Shape Size								Installation Size					Bearing house	
	D1	D2	D3	Coupling bolt		A1	A2	A3	A4	Coupling bolt				E1	E2	E3	E4	B1	B2	B3	B4	L	W	H	Anchor bolt hole		Bearing No.	H1
				d1	n1					d2	n2	x1×n	x2×n												Φ	quantity		
8	906	860	806	15	16	530	726	630	826	15	28	97×6	98×8	1632	552	905	1444	344	817	672	1836	1730	1100	87	18	6	6312	110
9	1006	960	906	15	16	595	816	695	916	15	28	108×6	109×8	1828	621	1023	1628	386.5	1260.5	715	2368	2250	1100	87	18	8	22316	280
10	1126	1070	1006	15	16	660	908	760	1008	15	24	142×5	137×7	2025	690	1121	1792	442.5	1290	822	2560.5	2380	1160	87	18	8	22316	280
11	1234	1170	1106	15	24	725	996	825	1096	15	32	111×7	117×9	2220	759	1235	1972	474	1524.5	710	2718	2660	1420	87	18	10	22320	375
12	1306	1270	1206	15	24	792	1088	892	1188	15	28	141×6	143×8	2420	828	1350	2153	512	1555	820	2896	2900	1420	87	18	10	22320	375
14	1545	1505	1400	15	24	926	1272	1052	1398	15	34	141×7	134×10	2830	966	1547	2488	536.5	2078	1534	4157	3840	2000	87	18	12	22326	500
15	1640	1580	1508	15	24	991	1362	1117	1488	15	34	150×7	142×10	3078	1035	1670	2834	568.5	2017.5	1530	4119	3850	2000	87	18	14	22326	500
16	1736	1660	1600	15	28	1040	1449	1182	1575	15	32	141×7	134×10	1635.5	1104	1745	2823	606	2143	1200	3949	3600	2155	87	18	16	22326	500

Shuangcheng Blower



Shape and Installation Size Chart of Model G、Y4-73-11 D Centrifugal Blower

No.	Inlet flange					Outlet flange								Shape Size								Bearing house	
	D1	D2	D3	Coupling bolt		A1	A2	A3	A4	Coupling bolt				E1	E2	E3	E4	E5	E6	E7	B1	B2	Bearing No.
				d1	n1					d2	n2	x1xn	x2xn										
18	1922	1860	1800	19	28	1170	1620	1332	1779	19	32	180×7	190×9	3111	1267.5	3735.5	2180	1242	900	1000	685	3137	3632
20	2122	2060	2000	19	28	1300	1800	1462	1959	19	32	198×7	210×9	3380	1340	4120	2400	1380	100	1300	766.5	3275.5	3632
22	2300	2260	2200	19	36	1430	1980	1596	2139	19	36	190×8	207×7	3692	1456.5	4471	2508	1518	800	1300	853	3753	3638
25	2600	2560	2500	19	36	1625	2250	1841	2459	19	42	195×9	198×12	4221	1666.5	5019	2854.5	1725	1000	1200	958	4025.5	3638