

Model Y5-48 Centrifugal Boiler Blower

Y5-48 series centrifugal boiler blower is designed for the industrial boiler of 1-20 T/H which is fit for various burning medium and equipped with smoke and dust catching device, which may be selected by those with certain absorption condition and applicable performance. No more than 250°C of the highest temperature. Add the dust catching device of no less than 85% dust catching efficiency in front of the blower, so as to reduce the smoke content entered the blower, and increase the blower's longevity.

The blower's performance is indicated with the specifications of wind volume, full pressure, rotating speed of the principal axis, axis Power, efficiency, etc. Among the performance shown in the performance chart, NO.4-6.3, the performance of blower is calculated according to the air medium that: air temperature $t=200^{\circ}\text{C}$, atmospheric pressure $P_0=101300\text{Pa}$, air density $\rho =0.745\text{kg}/\text{m}^3$, above NO.8, is calculated according to that: air temperature $t=140^{\circ}\text{C}$, atmospheric pressure $P_0=101300\text{Pa}$, smoke density $\rho =0.85\text{kg}/\text{m}^3$.

This series of blowers use jib-headed strap transmission (C type)

This model of blower is single inhalation, 6 types: NO.4、5、6.3、8、10、12.5, each may be made in the model of left revolving or right revolving.

For the convenience of customer's installation and debug, the unitary bracket and shock absorption bracket are provided.

Shuangcheng Blower

Y5-48-4C centrifugal boiler induced draft fan

Speed r/min	No.	Flux m ³ /h	Total pressure Pa	Power kW	motor		size L×W×H mm	weight (except motor) kg
					Type	Power kW		
3550	1	2932	2221	3.52	Y132S1-2	5.5		
	2	3374	2254	3.87	Y132S1-2	5.5		
	3	3807	2173	4.04	Y132S1-2	5.5		
	4	4254	2068	4.22	Y132S1-2	5.5		
	5	4686	1914	4.36	Y132S1-2	5.5		
	6	5143	1726	4.51	Y132S1-2	5.5		
	7	5564	1501	4.52	Y132S1-2	5.5		
3150	1	2602	1746	2.46	Y112M-2	4		
	2	2993	1772	2.70	Y112M-2	4		
	3	3378	1708	2.82	Y112M-2	4		
	4	3775	1626	2.95	Y112M-2	4		
	5	4158	1505	3.04	Y112M-2	4		
	6	4563	1357	3.15	Y112M-2	4		
	7	4937	1180	3.16	Y112M-2	4		
2800	1	2313	1377	1.73	Y100L-2	3		
	2	2661	1398	1.90	Y100L-2	3		
	3	3003	1348	1.98	Y100L-2	3		
	4	3355	1283	2.07	Y100L-2	3		
	5	3696	1188	2.14	Y100L-2	3		
	6	4056	1071	2.21	Y100L-2	3		
	7	4388	932	2.22	Y100L-2	3		
2500	1	2065	1097	1.23	Y90L-2	2.2		
	2	2376	1113	1.35	Y90L-2	2.2		
	3	2681	1073	1.41	Y90L-2	2.2		
	4	2996	1022	1.47	Y90L-2	2.2		
	5	3300	946	1.52	Y90L-2	2.2		
	6	3622	853	1.57	Y90L-2	2.2		
	7	3918	742	1.58	Y90L-2	2.2		

Shuangcheng Blower

Y5-48-5C centrifugal boiler induced draft fan

Speed r/min	No.	Flux m ³ /h	Total pressure Pa	Power kW	motor		size L×W×H mm	weight (except motor) kg
					Type	Power kW		
3150	1	5304	2819	7.81	Y160M1-2	11		
	2	6062	2793	8.39	Y160M1-2	11		
	3	6820	2737	8.92	Y160M1-2	11		
	4	7578	2592	9.25	Y160M1-2	11		
	5	8336	2406	9.55	Y160M1-2	11		
	6	9093	2175	9.81	Y160M1-2	11		
	7	9851	1913	9.88	Y160M1-2	11		
2800	1	4715	2223	5.49	Y132S2-2	7.5		
	2	5389	2203	5.90	Y132S2-2	7.5		
	3	6062	2158	6.27	Y132S2-2	7.5		
	4	6736	2044	6.50	Y132S2-2	7.5		
	5	7409	1898	6.71	Y132S2-2	7.5		
	6	8083	1716	6.89	Y132S2-2	7.5		
	7	8757	1509	6.94	Y132S2-2	7.5		
2500	1	4210	1769	3.90	Y132S1-2	5.5		
	2	4811	1753	4.20	Y132S1-2	5.5		
	3	5413	1718	4.46	Y132S1-2	5.5		
	4	6014	1627	4.62	Y132S1-2	5.5		
	5	6616	1511	4.77	Y132S1-2	5.5		
	6	7217	1366	4.90	Y132S1-2	5.5		
	7	7818	1202	4.94	Y132S1-2	5.5		
2240	1	3772	1419	2.81	Y112M-2	4		
	2	4311	1406	3.02	Y112M-2	4		
	3	4850	1377	3.21	Y112M-2	4		
	4	4389	1305	3.33	Y112M-2	4		
	5	5928	1212	3.43	Y112M-2	4		
	6	6466	1096	3.53	Y112M-2	4		
	7	7005	964	3.55	Y112M-2	4		

Shuangcheng Blower

Y5-48-6.3C centrifugal boiler induced draft fan

Speed r/min	No.	Flux m ³ /h	Total pressure Pa	Power kW	motor		size L×W×H mm	weight (except motor) kg
					Type	Power kW		
2800	1	9432	3545	17.42	Y180M-2	22		
	2	10779	3513	18.72				
	3	12126	3441	19.9				
	4	13474	3259	20.63				
	5	14821	3025	21.30				
	6	16169	2733	21.88				
	7	17516	2403	22.03				
2500	1	8421	2819	12.40	Y160M2-2	15		
	2	9624	2793	13.33				
	3	10827	2737	14.16				
	4	12030	2592	14.68				
	5	13233	2406	15.16				
	6	14436	2175	15.57				
	7	15639	1913	15.68				
2240	1	7546	2259	8.92	Y160M1-2	11		
	2	8623	2238	9.59				
	3	9701	2193	10.19				
	4	10779	2077	10.56				
	5	11857	1929	10.91				
	6	12935	1743	11.20				
	7	14013	1533	11.28				
2000	1	6737	1798	6.35	Y132S2-2	7.5		
	2	7700	1781	6.82				
	3	8662	1745	7.25				
	4	9624	1654	7.52				
	5	10586	1535	7.76				
	6	11540	1388	7.97				
	7	12511	1221	8.03				

Y5-48-8C centrifugal boiler induced draft fan

Speed r/min	No.	Flux m ³ /h	Total pressure Pa	Power kW	motor		size L×W×H mm	weight (except motor) kg
					Type	Power kW		
2000	1	13794	3323	213.90	Y200L-4	30		
	2	15765	3293	25.69				
	3	17736	3226	27.31				
	4	19707	3055	28.30				
	5	21677	2836	29.23				
	6	23648	2563	30.02				
	7	25619	2253	30.23				
1800	1	12415	2686	17.43	Y180L-4	22		
	2	14189	2661	18.73				
	3	15962	2607	19.90				
	4	17736	2470	20.63				
	5	19510	2293	21.31				
	6	21283	2072	21.88				
	7	23057	1823	22.03				
1600	1	11035	2118	12.24	Y160L-4	15		
	2	12612	2099	13.15				
	3	14189	2056	13.98				
	4	15765	1948	14.49				
	5	17342	1809	14.96				
	6	18918	1635	15.37				
	7	20495	1438	15.48				
1400	1	9656	1619	8.20	Y160M-4	11		
	2	11035	1604	8.81				
	3	12415	1572	9.37				
	4	13794	1489	9.71				
	5	15174	1383	10.03				
	6	16553	1250	10.30				
	7	17933	1100	10.37				

Shuangcheng Blower

Y5-48-10C centrifugal boiler induced draft fan

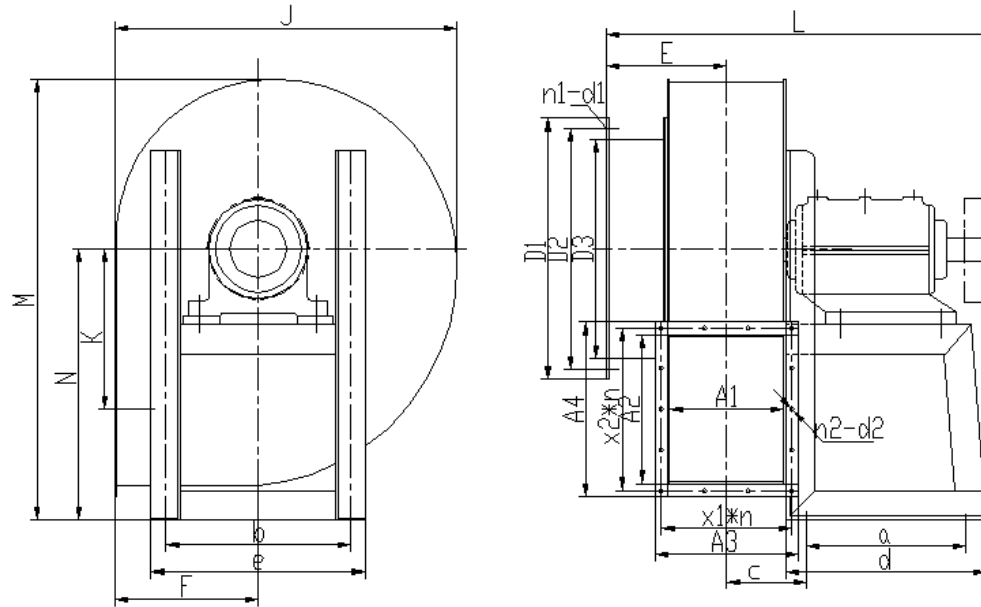
Speed r/min	No.	Flux m ³ /h	Total pressure Pa	Power kW	motor		size L×W×H mm	weight (except motor) kg
					Type	Power kW		
1800	1	22250	4483	49.59	Y280S-4	75		
	2	25981	4437	54.33				
	3	29711	4305	58.23				
	4	33442	4103	61.59				
	5	37172	3823	64.26				
	6	40903	3436	65.72				
	7	44634	2958	65.95				
1600	1	19778	3531	34.83	Y250M-4	55		
	2	23094	3494	38.16				
	3	26410	3390	40.89				
	4	29726	3232	43.25				
	5	33042	3013	45.13				
	6	36358	2708	46.15				
	7	39674	2332	46.32				
1400	1	17305	2696	23.33	Y225S-4	37		
	2	20207	2668	25.56				
	3	23109	2589	27.39				
	4	26010	2468	28.98				
	5	28912	2301	30.24				
	6	31813	2069	30.92				
	7	34715	1782	31.03				
1250	1	15451	2145	16.61	Y180L-4	22		
	2	18042	2123	18.19				
	3	20633	2060	19.5				
	4	23223	1964	20.63				
	5	25814	1831	21.52				
	6	28405	1647	22.01				
	7	30995	1419	22.08				

Shuangcheng Blower

Y5-48-12.5C centrifugal boiler induced draft fan

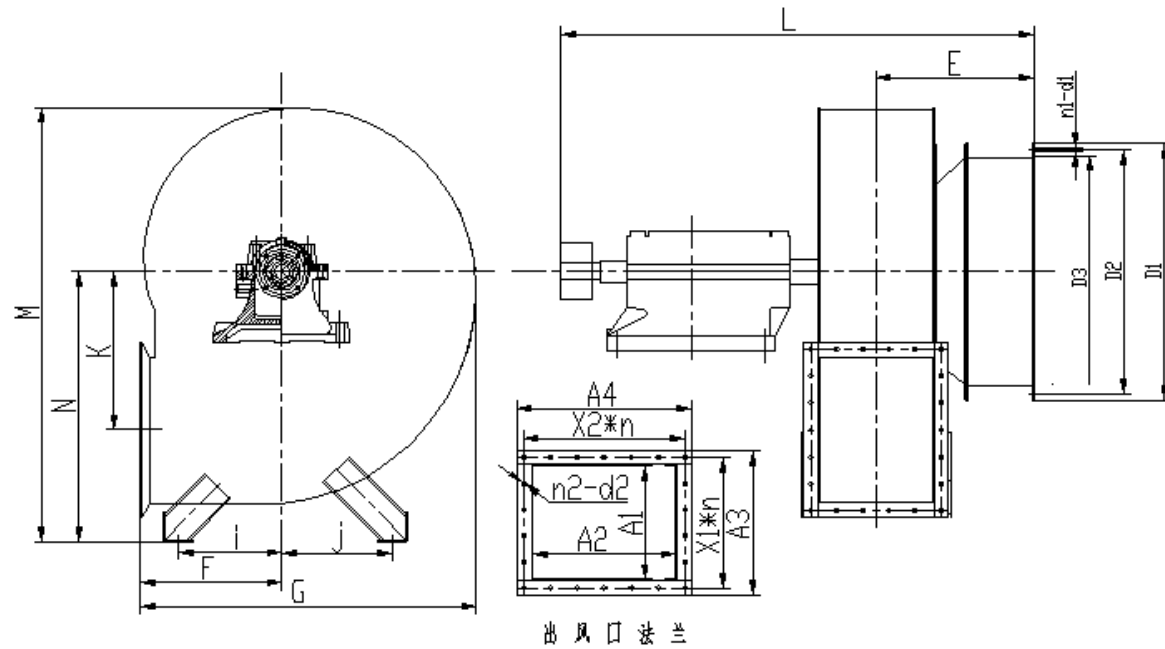
Speed r/min	No.	Flux m ³ /h	Total pressure Pa	Power kW	motor		size L×W×H mm	weight (except motor) kg
					Type	Power kW		
1000	1	24143	2145	18.96	Y225S-4	37	2252×2222× 2204	284
	2	28191	2123	20.78	Y225S-4	37		
	3	32239	2060	22.27	Y225S-4	37		
	4	36287	1964	23.55	Y225S-4	37		
	5	40335	1831	24.57	Y225S-4	37		
	6	44383	1647	25.13	Y225S-4	37		
	7	48431	1419	25.22	Y225S-4	37		
1120	1	27040	2696	26.64	Y250M-4	55	2252×2222× 2204	427
	2	31574	2663	29.19	Y250M-4	55		
	3	36107	2589	31.28	Y250M-4	55		
	4	40641	2468	33.09	Y250M-4	55		
	5	45175	2301	34.53	Y250M-4	55		
	6	49709	2069	35.31	Y250M-4	55		
	7	54242	1782	35.43	Y250M-4	55		
1250	1	30179	3365	37.04	Y280S-4	75	2252×2222× 2204	562
	2	35239	3331	40.58	Y280S-4	75		
	3	40298	3232	43.49	Y280S-4	75		
	4	45358	3081	46.00	Y280S-4	75		
	5	50418	2872	48.00	Y280S-4	75		
	6	55478	2582	49.08	Y280S-4	75		
	7	60538	2223	49.25	Y280S-4	75		
1400	1	33800	4234	52.04	Y315S-4	110	2252×2222× 2204	1000
	2	39467	4190	57.01	Y315S-4	110		
	3	45134	4065	61.10	Y315S-4	110		
	4	50802	3875	64.63	Y315S-4	110		
	5	56469	3611	67.43	Y315S-4	110		
	6	62136	3246	68.96	Y315S-4	110		
	7	67803	2794	69.20	Y315S-4	110		

Shuangcheng Blower



Shape and Installation Size Chart of Model Y5-48 C Centrifugal Blower

No.	Inlet flange					Outlet flange								Shape Size						Installation Size					
	D1	D2	D3	Coupling bolt		A1	A2	A3	A4	Coupling bolt				J	M	N	K	F	E	L	a	b	c	d	e
				d1	n1					d2	n2	x1×n	x2×n												
4	425	395	355	10	8	199	256	254	314	8	14	97 x3	72.5 x4	588	748	460	267.6	248	270	868	298	390	147	388	430
5	545	500	450	12	8	252	324	308	382	8	18	71 x4	72 x5	741	924	560	340	312	319	940	285	474	179	385	524
6.3	670	620	560	12	12	315	409.5	371	465.5	8	18	87 x4	88.6 x5	924	1218	760	425.4	393	399	1224	375	600	220.5	495	656



Shape and Installation Size Chart of Model Y5-48 C Centrifugal Blower

No.	Inlet flange					Outlet flange								Shape Size							Installation Size	
	D1	D2	D3	Coupling bolt		A1	A2	A3	A4	Coupling bolt				M	N	K	F	G	E	L	i	j
				d1	n1					d2	n2	x1×n	x2×n									
8	820	770	710	12	16	400	520	509	632	15	18	115.5 x4	116 x5	1574	900	540	495	1178	493	1611	400	450
10	1030	970	900	15	16	504	655	613	771	15	24	114 x5	104 x8	1944	1100	680.3	623	1483	601	1813	450	550
12.5	1250	1190	1120	15	20	627	815	935	737	15	28	115 x6	111 x8	2378	1350	847	774	1844	750	2227	550	650